



Gas Filled 3/8" Stem Direct Drive Dial Thermometers

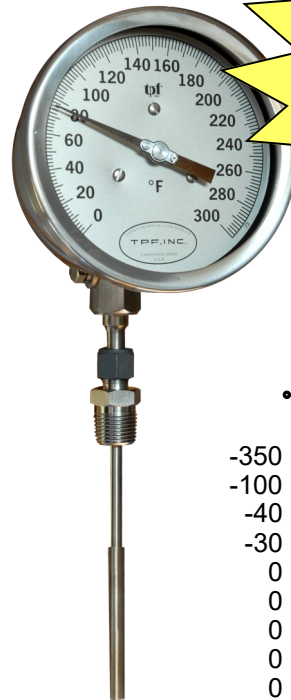


**Model
45 GR**

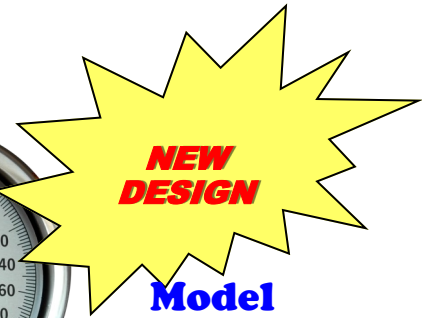
- **Stainless Steel Case**
- **Satin Finish Aluminum Dial Face**
- **Glass or Plexiglas Lens**
- **Accuracy ±1% of Range**
- **Micrometer Adjustable Pointer**
- **Easy to Read**



Direct Drive



**Model
45 GR
Compression**



Ranges:

°F		°C	
-350	+150	-200	+100
-100	+100	-100	+100
-40	+200	-30	+60
-30	+120	-30	+120
0	+150	-10	+150
0	+200	0	+100
0	+240	0	+200
0	+300	0	+300
0	+400	0	+400
0	+500	0	+600
0	+600	0	+650
0	+800		
0	+1200		
0	+1250		

F&C

F&C

Ordering Info

- Quantity
- Model
- Range (°F / °C)
- Stem Length

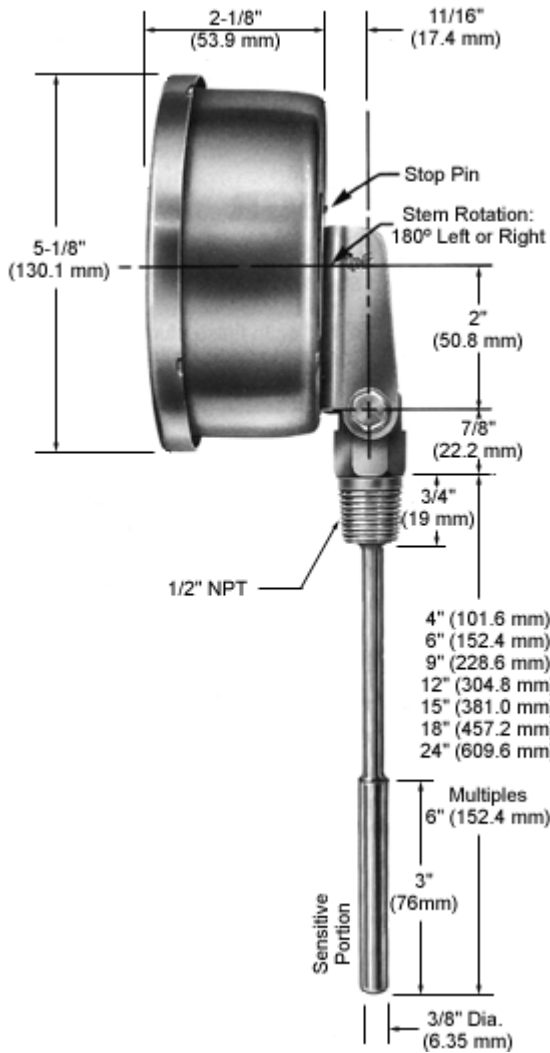


ISO 17025 Lab for testing thermometers & pressure gauges.

45GR 02-20

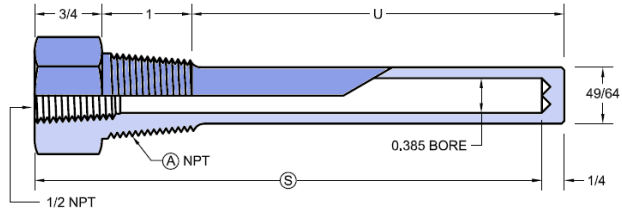


Specifications



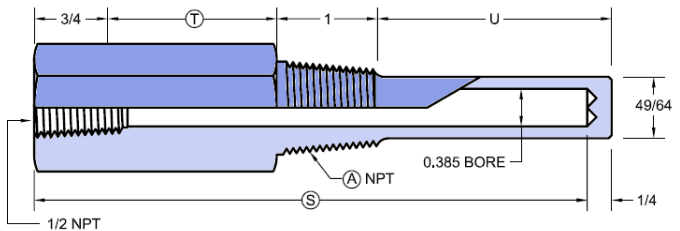
Wells

General Use



External Thread (A)	TYPE NUMBER	Stem Length (S)
3/4" NPT	385S-U 4 1/2	6
	385S-U 7 1/2	9
1" NPT	385S-U 10 1/2	12
1/2" NPT	385S-U 13 1/2	15
	385S-U 16 1/2	18
	385S-U 22 1/2	24

Lagging Extension Type



External Thread (A)	TYPE NUMBER	Stem Length (S)
3/4" NPT	385L-U 2 1/2	6
	385L-U 4 1/2	9
1" NPT	385L-U 7 1/2	12
1/2" NPT	385L-U 10 1/2	15
	385L-U 13 1/2	18
	385L-U 19 1/2	24

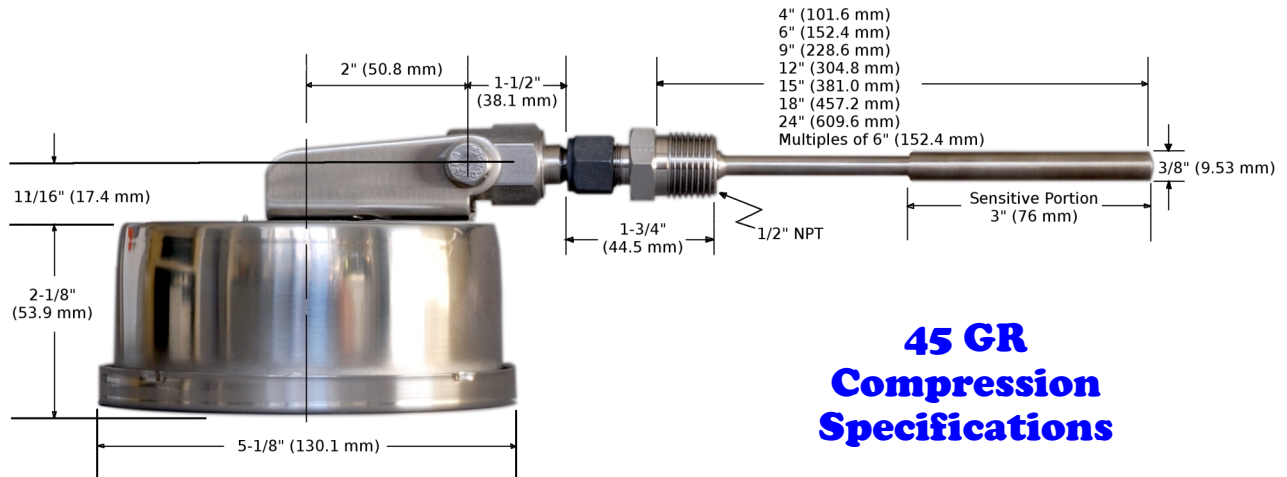
To Order Wells Specify:

- **Quantity**
- **3/4", 1", or 1/2" NPT Process**
- **Type Number**
- **Material: 316SS or 304SS**

TPF, INC., warrants all instruments manufactured and sold by it to be free from defects in material or workmanship under normal use and service. The company agrees to repair or replace any instrument which its examination reveals to have been defective due to faulty workmanship or material, if returned to our factory, transportation charges prepaid, within one year of purchase date.

RIGHTS RESERVED FOR DESIGN AND CONSTRUCTION CHANGES.





45 GR Compression Specifications

Options



Max follower hand



Max and Min follower hands



Electrical contacts

Hook & Handle



Contact Ratings

V	DC	AC	Inductive
220	100 mA	120 mA	65 mA
110	200 mA	240 mA	130 mA
48	300 mA	450 mA	200 mA
24	400 mA	600 mA	250 mA

